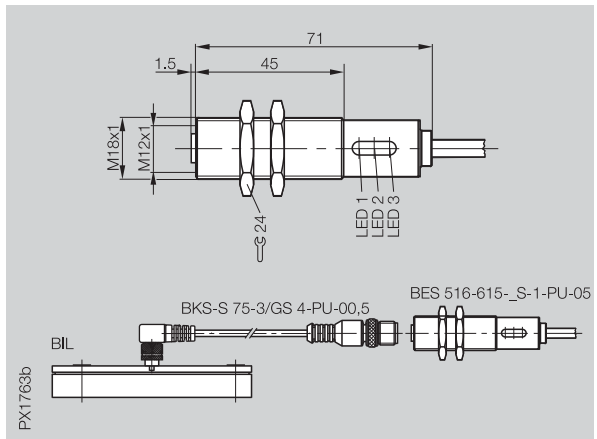
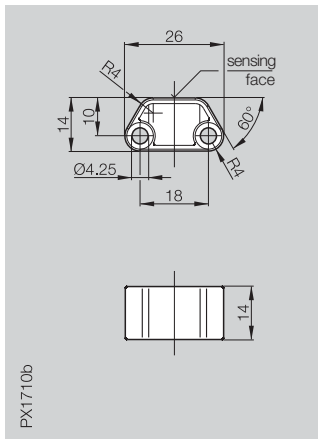
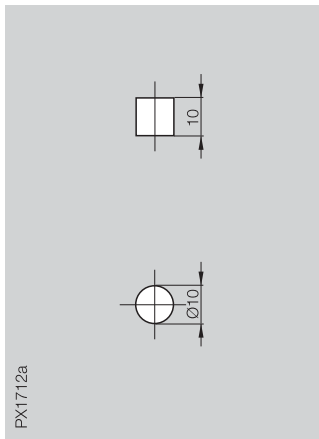


Magneto-inductive Position Sensors Accessories

Description	Position marker	Position marker	Analog set point controller
Housing size	Ø 10x10 mm	26x14x14 mm	M18x1
Material	Hard ferrite	Fiberglass reinforced PA	Nickel plated brass
Distance "D"	2 mm	1 mm	-



Ordering code	BIL 000-MH-A	BIL 001-MH-A	BES 516-615-_S-1-PU-05
---------------	--------------	--------------	------------------------

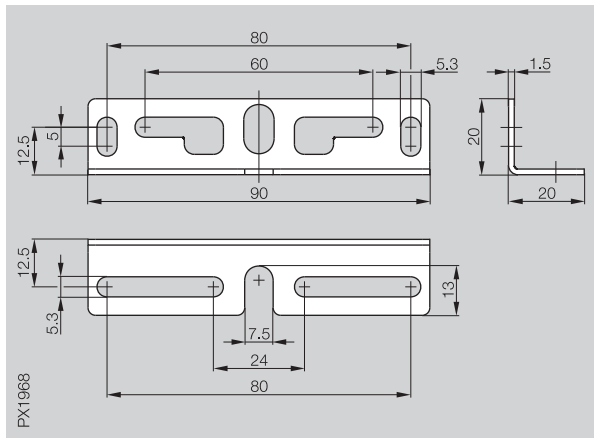
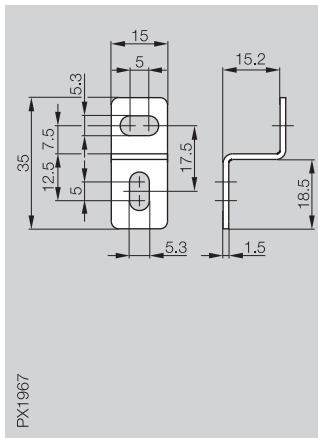
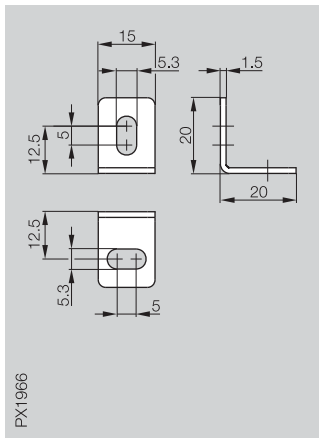


- Analog output
- PNP- or NPN normally open
- Input signal 0...10 V
- Resolution 8 bits
- 3 binary switching points
- Teach-in



For technical data see page 6.16

Description	Mounting bracket	Mounting bracket	Mounting bracket
Material	Stainless steel	Stainless steel	Stainless steel



Ordering code	BIL 01-HW-1	BIL 01-HW-2	BIL 01-HW-3
---------------	-------------	-------------	-------------

Installation examples

