

Balluff magnets are available in captive or floating styles. All BTL5 magnets shown here can be used on any Balluff Micropulse transducer. Maximum resolution and repeatability are achieved using captive magnets BTL5-F/M/N-2814-1S.

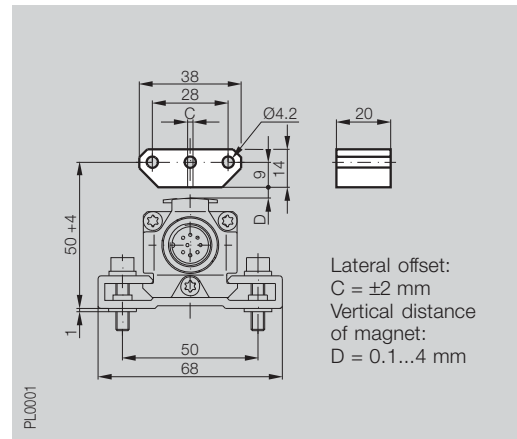
The BTL5-P-3800-2 magnet can be used with a vertical offset from the upper surface of the transducer body of 0.1...4 mm, and the BTL5-P-5500-2 permits a distance of 5...15 mm. The BTL5-P-4500-1 is an electromagnet and requires a supply voltage of 24V, which can be turned on and off for selective activation. This allows multiplex operation with multiple magnets on a single transducer, since only one magnet is active at a time.

Description
for Series

Magnet
BTL5 Profile

Type

floating



Ordering code

BTL5-P-3800-2

Housing material

Plastic

Weight

approx. 12 g

Magnet traverse speed

any

Supply voltage

Current draw

Operating temperature/Storage temperature

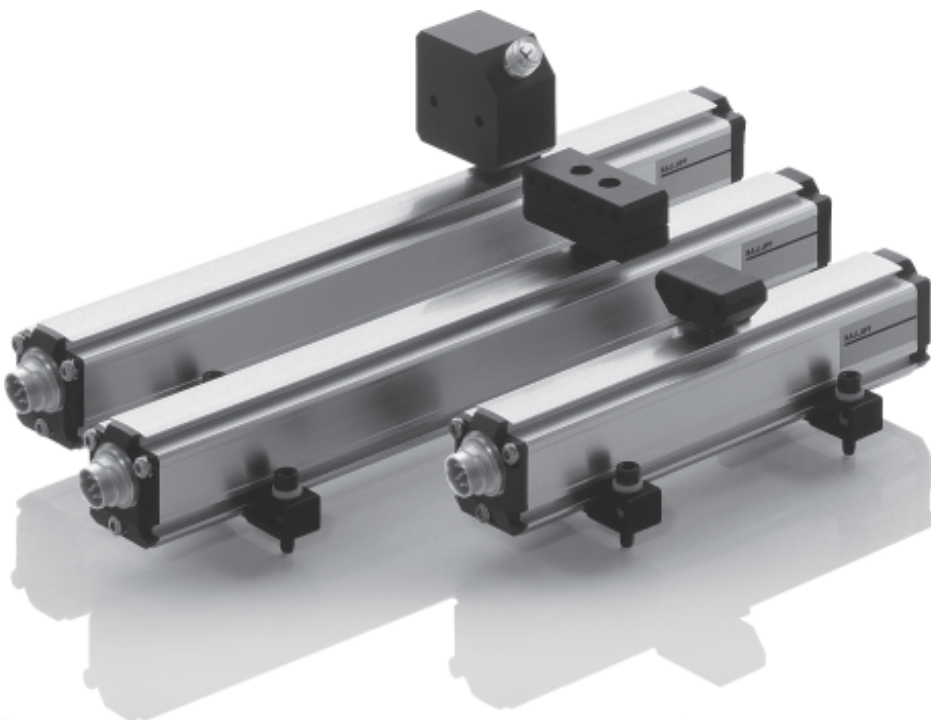
-40...+85 °C

Included

Magnet
2 mounting screws DIN 84 M4x35-A2
with washers and nuts

Accessories

(please order separately)



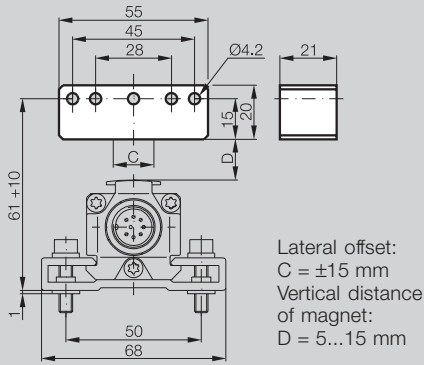
Mounting feet with isolation washers and screws included with transducer.

Replacement: 1 pair mounting feet and screws
Type. No.: 110404

Length (stroke length)	Number of mounting feet
up to 250 mm	1
251 to 750 mm	2
751 to 1250 mm	3
1251 to 1750 mm	4
1751 to 2250 mm	5
2251 to 2750 mm	6
2751 to 3250 mm	7
from 3251 mm	8

Magnet
BTL5 Profile

floating



PL0002

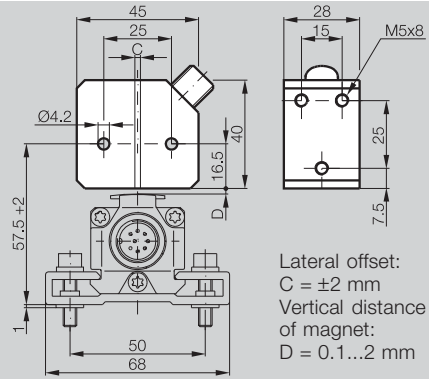
BTL5-P-5500-2

Plastic
approx. 40 g
any

-40...+85 °C
Magnet

Magnet
BTL5 Profile

floating



PL0003

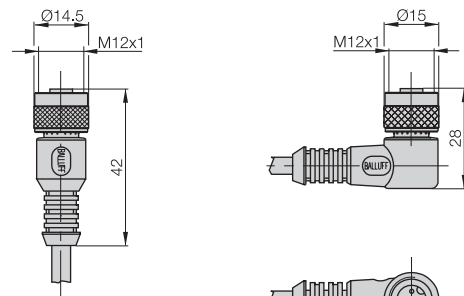
BTL5-P-4500-1

Plastic
approx. 90 g
any

24 V DC
100 mA
-40...+60 °C
Magnet

Straight connector BKS-B 19-1-__
Right angle connector BKS-B 20-1-__

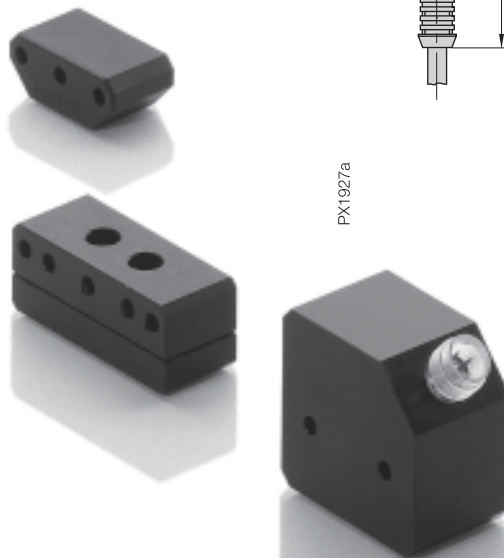
Please indicate cable length in ordering code!
03, 05, 10, 15
= PVC, 3 m, 5 m, 10 m or 15 m
PU-03, PU-05, PU-10, PU-15
= PUR, 3 m, 5 m, 10 m or 15 m



PX1927a

PX1416d

Non-contact!
Vertical offset
0.1...4 mm or
5...15 mm



BTLP



General data

Analog interface

Digital pulse interface

SSI interface

CANopen interface

DeviceNet interface

PROFIBUS-DP interface

Magnets floating

Magnets captive, control arm

Description
for Series

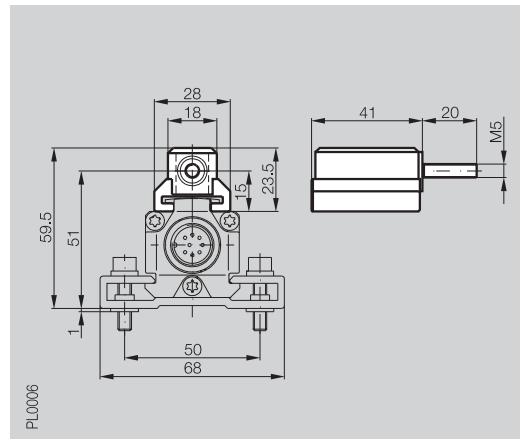
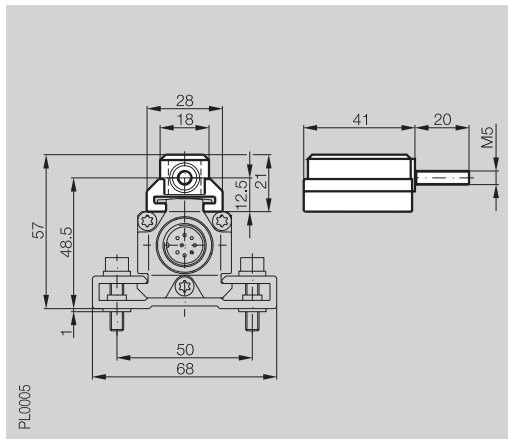
Magnet
BTL5 Profile

Magnet
BTL5 Profile

Type

captive

captive



Ordering code

BTL5-M-2814-1S

BTL5-N-2814-1S

Material
Housing
Slide surface

Anodized aluminum
Plastic

Anodized aluminum
Plastic

Weight

approx. 32 g

approx. 35 g

Magnet traverse speed

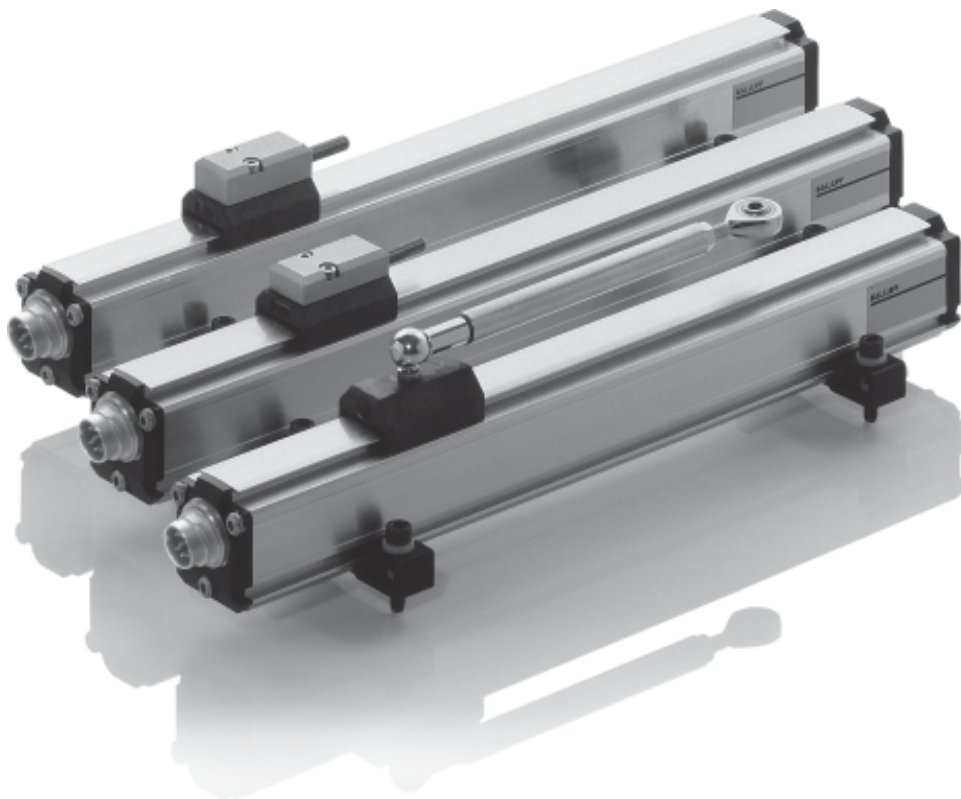
any

any

Operating temperature/Storage temperature

-40...+85 °C

-40...+85 °C



Mounting feet with isolation washers and screws included with transducer.

Replacement: 1 pair mounting feet and screws
Type. No.: 110404

Length (stroke length)	Number of mounting feet
up to 250 mm	1
251 to 750 mm	2
751 to 1250 mm	3
1251 to 1750 mm	4
1751 to 2250 mm	5
2251 to 2750 mm	6
2751 to 3250 mm	7
from 3251 mm	8

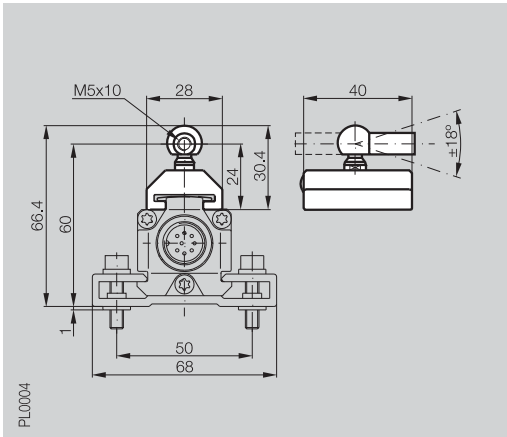
Micropulse Transducers

Magnets captive,
Control arm
Profile series

Magnet

BTL5 Profile

captive



BTL5-F-2814-1S

Plastic

Plastic

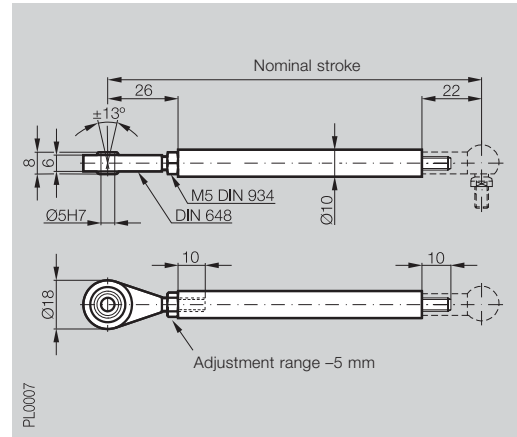
approx. 28 g

any

-40...+85 °C

Description
for

Control arm (including swivel eye)
Magnet BTL5-F-2814-1S



Ordering code

BTL2-GS10- -A

Material

Al

Weight

approx. 150 g/m

BTLP



General data

Analog interface

Digital pulse interface

SSI interface

CANopen interface

DeviceNet interface

PROFIBUS-DP interface

Magnets floating

**Magnets captive,
control arm**

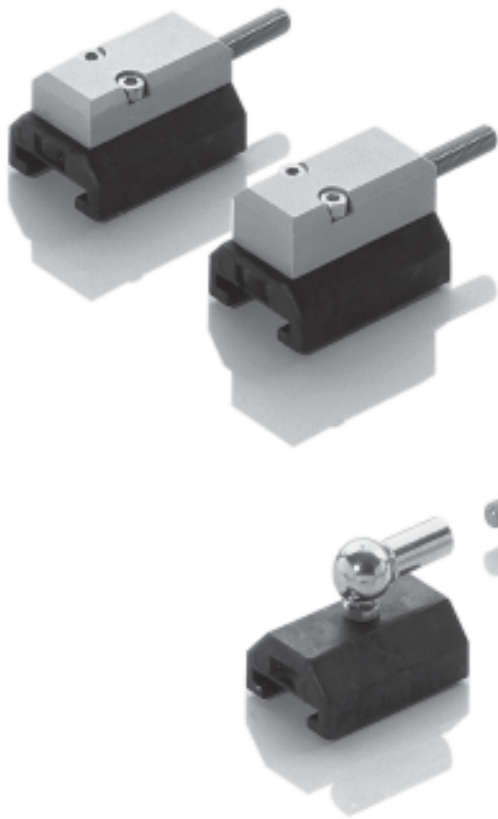
► Please enter code for nominal stroke in ordering code!

Ordering example:

BTL2-GS10- -A

Standard nominal strokes [mm]

0075, 0100, 0125, 0150, 0200,
0250, 0350, 0400, 0450, 0500,
0600, 0800, 1000, 1500, 2000



Swivel eye
part no. 714619

When using captured magnets with ball joint and control arm, transverse forces do not impinge on the transducer system.